

The router with more performance



## FRE317VD

### Tiltable router

Professional router for wood and solid surface materials. Specially designed for installing or repairing Corian®. Its features make the FRE317VD the perfect machine for the Corian® installation.



Professional solutions

# FRE317VD

Powerful motor (2100 W) with electronic speed control from 11500 to 23000/min.

**+** Exclusivity. Equipped with a gaz buffer for the vertical movement, for the routing of joints on Corian® worktops.

**+** Exclusivity. The only tiltable router.

Equipped with 12 mm chuck collet and reducers for Ø 10, 8 and 6 mm.

**+** Equipped with an additional base for working with Corian®. It is also possible to use copying guide rings.

**+** Routing depth: 100 mm.



Cutting depth with micrometric adjustment.

The routing base allows to work with copying guide rings.

Lateral fence with micrometric adjustment.

Adjustable stopper with 6 routing depth positions.

Maximum bit diameter 60 mm.



Big support surface for trimming works on edges.



## Other accessories



Pneumatic cutting guide UFN317 (ref. 1746846)

Cutting guide with manual suction pads UF317 (ref. 1745838)

For a guided routing. Allows a stable and perfect finishing on repairing works.



Set of suction pads (ref. 6045756)

For fixing the machine when drilling holes or caps on Corian® worktops.

**Other accessories:**

Rail guide long. 1.40 m (ref. 9045754)

Rail guide long. 2.40 m (ref. 9045755)

Joining kit for 2 guides

Set of 2 clamp screws (ref. 6045710)



Pneumatic clamping device

ASUN317 (ref. 1746804)

Allows a solid and stable fixing when gluing two panels in horizontal position.



Clamping device ASU317

(ref. 1745927)

Allows a solid and stable fixing when gluing two panels in horizontal position. With manual suction pads.



Pneumatic elastic clamping

device ATUN317

(ref. 1746805)

Allows to fix two panels at a different angle, when gluing them.



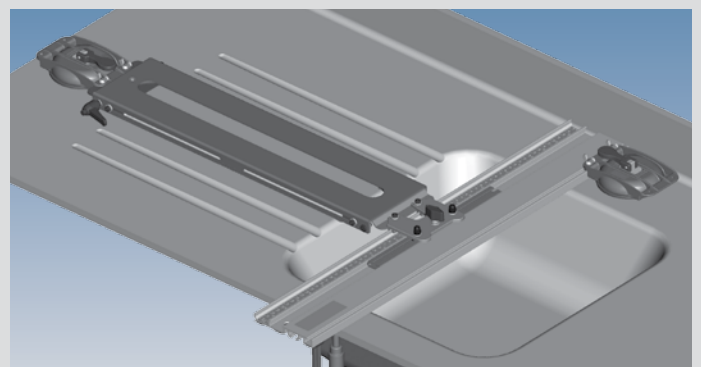
Elastic clamping device

ATU317 (ref. 1745928)

Allows to fix two panels at a different angle, when gluing them. With manual suction pads.

Routing guide UC317 (ref. 1746254)

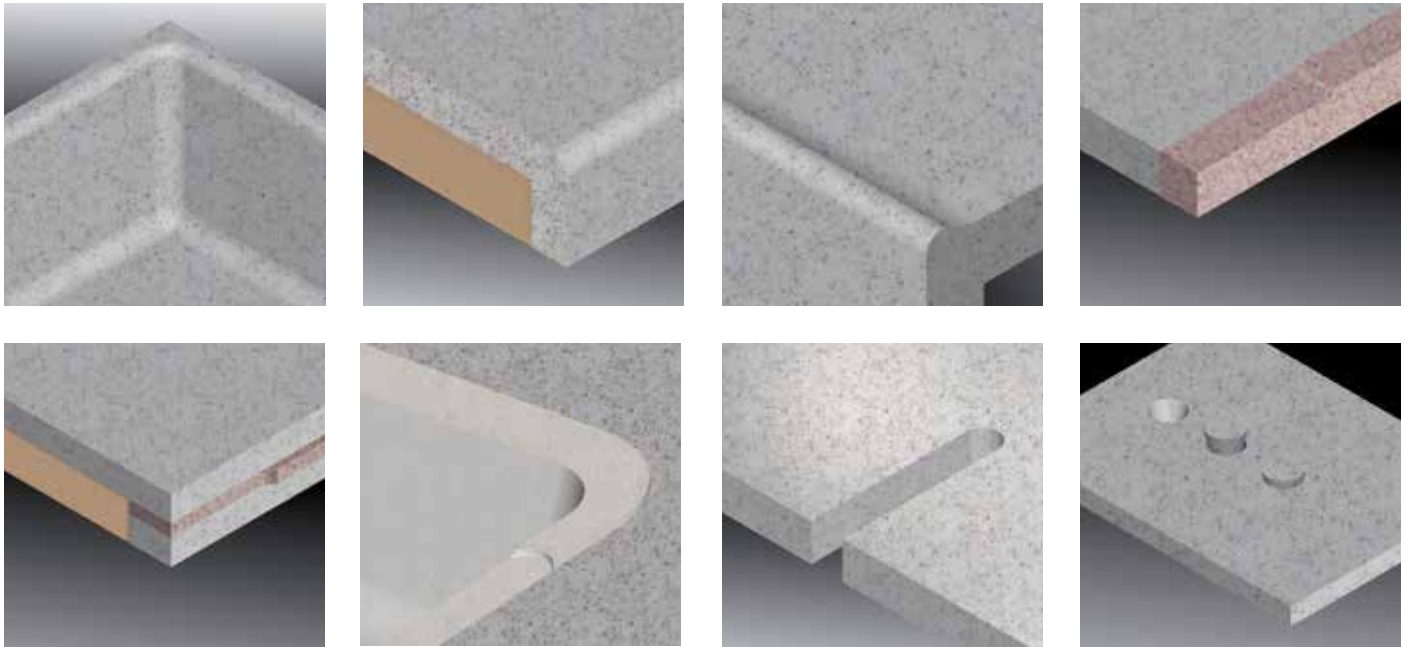
For routing in an easy way the gutters on solid surface worktops. Length, depth and inclination are adjustable.



# Bits for solid surface materials

Virutex offers a complete range of bits for any kind of work with solid surface materials.

Check the complete range of bits

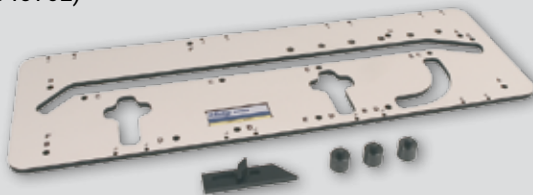


## Other accessories:

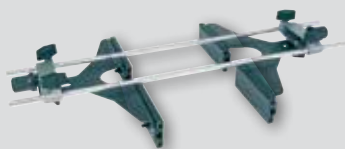
Dovetailing attachment  
(ref. 5000000)



Template for trimming work tops  
PFE60 (ref. 6045702)



Double fence  
(ref. 6046397)



Template for trimming ellipses and circles PE60  
(ref. 6045673)



Compass guide (ref. 6045669)  
Universal compass guide UC60 (ref. 6045715)



Printed in Spain | ED:09/2017ZEN



Antoni Capmany 1  
E-08028 Barcelona (Spain)  
Tel. +34 934 329 888  
E-mail export@virutex.es

Specifications subject to change without previous notice.  
Corian® is a trade mark of E.I. du Pont de Nemours and Company..

www.virutex.es